

TAPR Versatile/Universal WSPR

WSPR Transmitter

Version 1.4

TAPR Versatile/Universal WSPR

Table of Contents

Introduction	2
What's Included in the kit	3
Approach	3
Raspberry Pi	4
What you'll need to complete the assembly	5
Installing the Low Pass Filter	5
Programming an SD Card	6
Setup	6
Program SD Card	7
Install SD Card into Pi	8
Assemble VW and Pi	10
Setup and Adjustment	12
What You Need	12
Getting SSID and Passkey	12
Initial Setup	12
Locate the Pi IP Address	12
Setting WSPR Configuration	14
Restart Pi	15
Adjust Transmit Current	16
Measure RF Output	16
IP Addresses	16
VW Schematic	18
Troubleshooting - It Doesn't Work	19
Appendix 1 – Communicating With the Pi over SSH	22
Appendix 2 – Postprocessing Data	23
WSPRnet Map	23
Downloading Data	25
WSPR Data Filter	25

Introduction

Thank you for purchasing the Versatile WSPR transmitter (VW). We think you'll be pleased with it. VW is our attempt to put together a WSPR transmitter transmitter that avoids most of the problems associated with building a fairly complicated digital mode transmitter. All of the information, data and files are accessible through the TAPR website:

<https://tapr.org/product/wspr/>

WSPR stands for Weak Signal Propagation Reporter Network. It's a digital mode used by hams. The process is similar to a beacon. WSPR is a wonderful communication mode created by Joe Taylor (K1JT). VW is our attempt at simplifying the process of getting an actual transmitter up and running so you can enjoy working with WSPR and avoid dealing with the headaches associated with building a working system.

TAPR Versatile/Universal WSPR

What makes it really interesting is that WSPR is optimized for operating at very low power. For example, it's normal to transmit with 100 mW from the US and be received in Australia or Europe. There are hams all over the world with WSPR receivers. They record what they receive in a central database that can be queried over the Internet. So you put your WSPR transmitter on the air and monitor its performance from the Internet. Monitoring WSPR is sort of addictive. It's fascinating to see what effect time of day, seasons, and weather have on propagation.

There is a wide array of choices for setting up a WSPR beacon. The most obvious and possibly the simplest is to use your regular transceiver. This requires a computer and sound card connection. Most of us have at least one computer in the shack and many of us are already using digital modes, so the equipment is already in place to run WSPR. All you have to do is download the software (free) and you're off to the races. This approach works well and the price is right if you're already set up for digital modes. Even if you're not set up for digital modes, the interface between your transceiver and computer can be had for less than \$100.

Using your base station for WSPR is an excellent approach. The downside is that you are tying up your station while WSPR is on, so leaving WSPR on for an extended length of time gets in the way of radio. A second point, the output power of many transceivers can't be adjusted below 5 watts. An output power of 5 watts will certainly work, but it's interesting to see how little power you can get away with and the useful power range is a lot less than 5 watts.

The alternative to using your regular station for WSPR is to have a completely separate WSPR station. That's a lot more realistic when you're dealing with output powers in the range of milliwatts. When we started down this path we looked at different approaches. One approach we looked at was high quality and well done, but there are some operational complaints we had with it that we wanted to fix. This is our version for a fix.

What's Included in the kit

The kit contains the VW board and low pass filter components (4 capacitors and 3 inductors). We've modified the design in later units to also provide the drain inductor (L1). This inductor is included in later versions of the kit.

Approach

We found an alternate approach using a Raspberry Pi (Pi) computer to generate WSPR transmissions. A Pi is about the size of a deck of playing cards and costs about \$40-\$50, depending on the module you purchase. It has an amazing amount of computing power for something so small and so cheap. It runs the Linux operating system.

The Pi can be configured to generate the WSPR signal without any external components! That's just amazing to me. Somebody figured out how to modulate the clock/oscillator and generate a WSPR signal. The Pi will also set the time by calling an NTP server and use the time information to adjust the frequency, eliminating the need for any calibration or timing setup.

TAPR Versatile/Universal WSPR

There are two problems with using the Pi for WSPR. First, the output signal is a square wave with harmonics from here out to next Tuesday. A low pass filter is necessary to keep other hams and the FCC happy. Second, the output power is around 10 mW. We talked about the thrill of using low power to make contacts, but it's nice to start with a little more power than that.

Our WSPR Pi is a circuit board (pcb) that plugs into the Pi 40-pin header. It boosts the signal level to about 100 mW and contains a seven pole low pass filter to keep out-of-band transmissions down by 43 dB. It also contains an LED that lights when transmitting and a crude output power indicator. (We found it annoying to not know when and how well our system was working without connecting a 'scope or power meter and wanted something simple as a sanity check.)

The Pi is a computer, and most computers need to be shutdown properly rather than just have the power turned off. We added a push button to the circuit board to initiate a shutdown sequence in the Pi. We wrote a program to run in the background that monitors the push button and shuts the Pi down when it's pressed.

Raspberry Pi

The Pi is a computer and is subject to all of the headaches associated with computers. We wanted to make life easier for anybody trying to duplicate our WSPR experience by limiting the amount of computer exposure you're subjected to. Loading the software into the Pi is not difficult, but there are quite a few areas that can go wrong and it can be frustrating if you've never done it before. It only takes one problem to kill the whole process. There are a lot of steps involved in getting to a working WSPR transmitter.

We created a version of the software that runs automatically when the Pi is turned on. There are several parameters that you (the user) have to set: callsign, grid square and WiFi (if you're using wifi). We programmed a web server in the Pi (we told you it's a computer :-)) that lets you fill this stuff in from a web page on your PC. In other words, you bring up Internet Explorer or Chrome or Firefox and type in the Pi's address (we'll get to that) and the web page comes up and you enter the data. This means no programming of the Pi at all. Bring up the web page, type in your callsign, grid square, and WiFi parameters and you're up and running.

The operating system (Linux) and all of the software are stored on a micro SD card. The SD card is plugged into the Pi. Set it and forget it. You need a card reader (~\$10) and software (from the TAPR website) and an SD card to do this. We'll repeat the important part: you have to burn the image onto the SD card (similar to burning a CD/DVD) and then plug it into the Pi. There's **no** programming.

What you'll need to complete the assembly

1. Soldering iron and solder.
2. Wire cutter to trim leads after soldering.
3. Raspberry Pi (Model 2, 3, or 4)
4. *2.5 amp (minimum) power supply w/micro USB connector.*
5. Ethernet cable.

TAPR Versatile/Universal WSPR

6. WiFi USB dongle. You only need this if you're using an Pi 2 and you want to use WiFi. WiFi is built into the Pi 3 and 4.
7. SD card (4 GB min, grade 10)
8. SD card reader (micro SD card to USB)
9. Meter and small screwdriver (e.g. jeweler's screwdriver)
10. Antenna (mate to BNC connector on VW)

Installing the Low Pass Filter.

We intentionally did not install the low pass filter (LPF) components so that we can use a common board for multiple bands and provide specific LPF components for each band. You should have received a packet of components (4 capacitors and 3 inductors, 4 capacitors and 4 inductors on later versions) along with the board for your kit. The inductors should be installed into spaces marked L1, L3, L4 and L5 on the board (L3, L4 and L5 are all the same value, so it doesn't matter which inductor goes where). The capacitor values are shown in Table 1 and go into spaces marked C4, C5, C6 and C7 (See Figure 1).

TAPR Versatile/Universal WSPR

Band	C4, C7	C5, C6	L3, L4, L5	L1 (Drain Inductor)
160m	152 (1.5 nF)	332 (3.3 nF)	grn-blu-gold-silver (5.6 uH)	brn-grn-blk-silver (15 uH)
80m	102 (1.0 nF)	222 (2.2 nF)	red-red-gold-silver (2.2 uH)	brn-blk-blk-silver (10 uH)
40m	471 (470 pF)	102 (1.0 nF)	brn-grn-gold-silver (1.5 uH)	brn-blk-blk-silver (10 uH)
30m	331 (330 pF)	681 (680 pF)	brn-blk-gold-silver (1.0 uH)	brn-blk-blk-silver (10 uH)
20m	151 (150 pF)	331 (330 pF)	brn-blk-gold-silver (1.0 uH)	Yel-pur-gold-silver (4.7 uH)
15m/17m	151 (150 pF)	271 (270 pF)	yel-pur-silver-silver (470 nH)	ora-ora-gold-silver (3.3 uH)
10m,12m	121 (120 pF)	221 (220 pF)	ora-wht-silver-silver (390 nH)	red-red-gold-silver (2.2 uH)

Table 1: Low Pass Filter Component Values

Note: The 4th band for inductors L1-L4 is a tolerance band. The color can be either silver or gold. This has no effect on the inductor value.

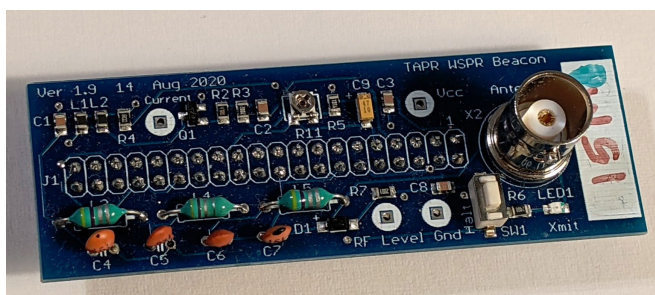


Figure 1: VW Board After Component Installation

TAPR Versatile/Universal WSPR

Programming an SD Card

Setup

1. You need an SD Card; at least 4GB, 8GB is better. Class 10.
2. SD Card reader/writer. We've got a Targus Micro SD/T-F. It doesn't really matter what card reader/writer you use. It connects your SD card to a USB port.
1. Win32DiskImager – It's a freebee. Download it from: <https://tapr.org/product/wspr/> or sourceforge.net/projects/win32diskimager/.
2. Install Win32DiskImager.
3. Disk Image – Download it from:
https://files.tapr.org/product_docs/WSPR/WSPR_11_Feb_2019.img.zip (Pi 2 & 3). This is a big file (e.g. 500+ meg). Use <https://tapr.org/zip/pi4.zip> (Pi 4).
4. Unzip the file after it's finished downloading (it will take a while).

Program SD Card

1. Plug the SD Card reader/writer into a USB port.
2. Plug the SD Card into the reader/writer.
3. Start Win32DiskImager.
4. Click on the folder icon in the upper right and find the disk image you downloaded and unzipped.
5. Click *Write* and go get a cup of coffee. Note: Win32DiskImager shows a small message box when it's done writing the SD card. Unfortunately, the message box likes to hide behind anything else you have up on the screen so you can't see it. Be forewarned that you might have to go looking for it.
6. Click *Exit*.
7. Remove the SD card and install it into the Pi. Make sure that power is disconnected from the Pi before doing this.

TAPR Versatile/Universal WSPR

Figure 2: Win32DiskImager

If you haven't annoyed the gods of the Internet too much today you should be in luck and everything will work!

Install SD Card into Pi

First, insert the SD card into the Pi (Figure 3: Inserting SD Card into Pi and Figure 4: SD Card Installed in Pi). The SD card sorta slides in up side down. On Pi 2 it ratchets in (pops in then out a little and sorta locks in place). On Pi 3 there's a friction fit, so there's no locking.

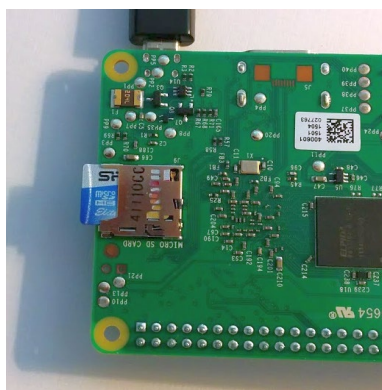
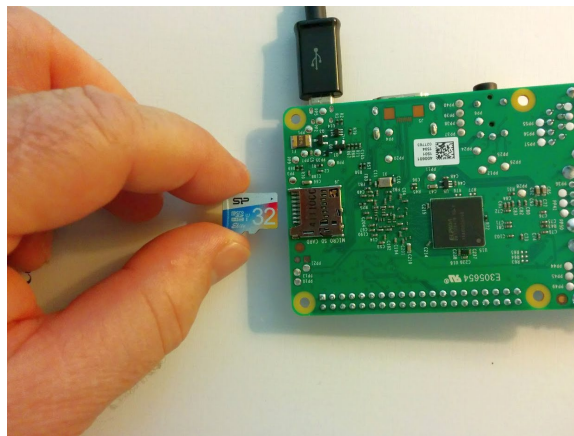


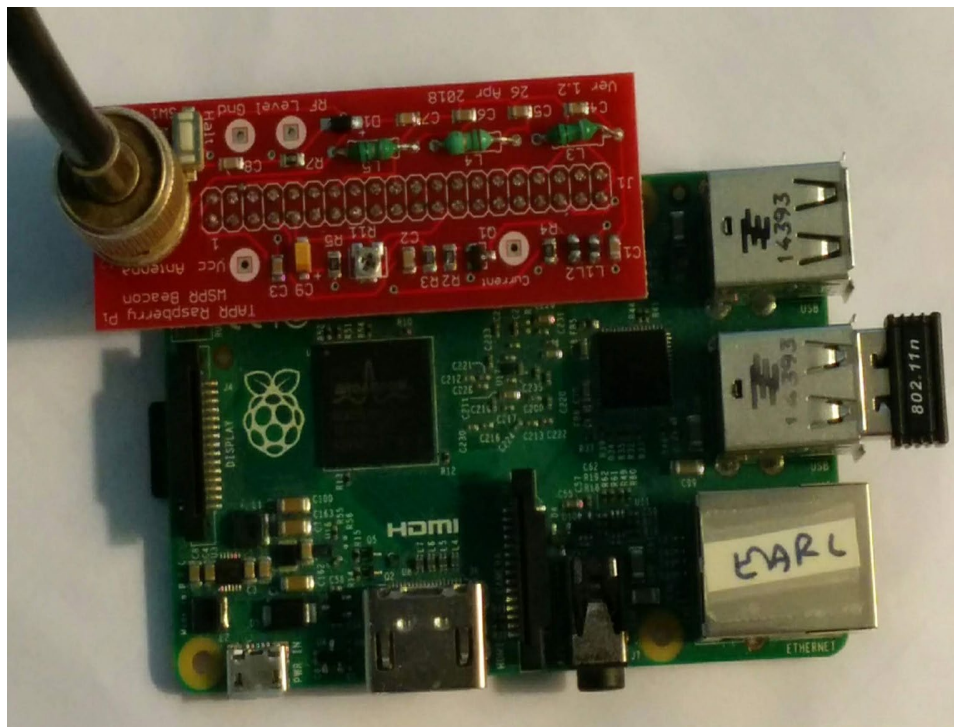
Figure 4: SD Card Installed in Pi

TAPR Versatile/Universal WSPR

Assemble VW and Pi

Attach the
to the Pi.

on
side
USB



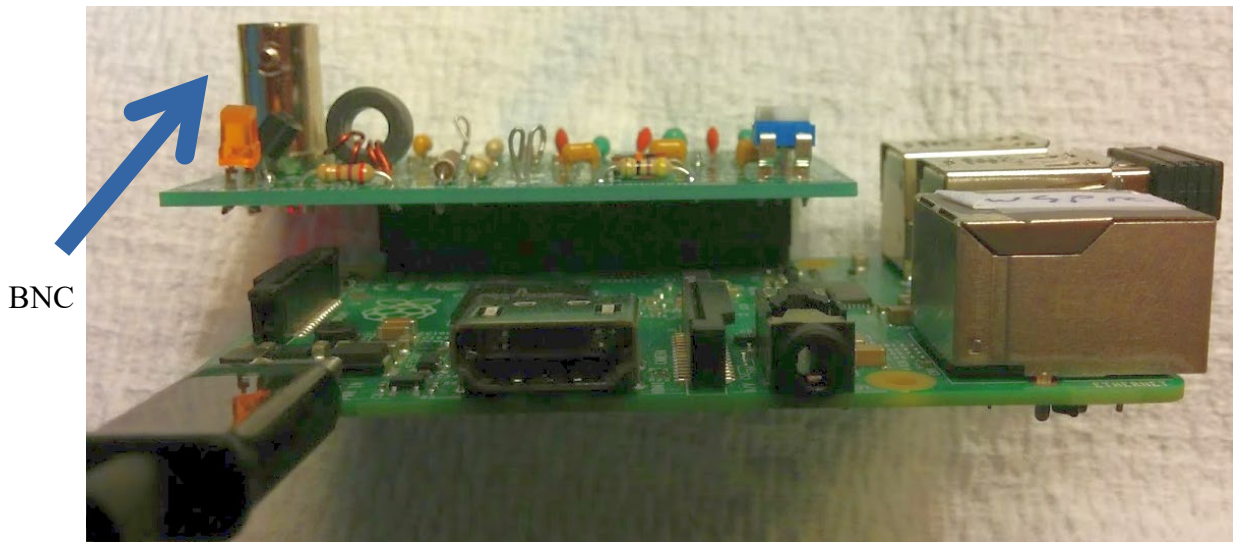
VW board
USB Connectors
The BNC
connector is
the opposite
from the Pi

connectors(Figure 5: VW and Pi Assembly).
of the lower left. RF output comes through a
dongle is plugged into one of the USB ports (pi 2 only - it's built it to Pi 3 & 4). The Pi LEDs are on the
left hand side of the Pi board below the VW board. They are not visible in the picture.

The micro USB power connector is coming out
BNC connector shown in the upper left. A WiFi
of the lower left. RF output comes through a
dongle is plugged into one of the USB ports (pi 2 only - it's built it to Pi 3 & 4). The Pi LEDs are on the
left hand side of the Pi board below the VW board. They are not visible in the picture.

The side view of the completed assembly (Figure 6: WSPR Beacon (Side View)) shows how the VW
is plugged into the Pi. It's definitely possible to connect them incorrectly, so don't do that. Notice from
this view that the Pi USB connectors are on the right hand side and the VW BNC connector is on the
left. That's how it should be. Also, make sure that the Pi pins and the VW plug are lined up. It is
possible to offset one from the other, so you only have one row of pins connected.

TAPR Versatile/Universal WSPR



TAPR Versatile/Universal WSPR

Setup and Adjustment

What You Need

I'm assuming that you have -

1. Assembled Pi/VW
2. 2.5+ amp power supply for the Pi
3. Ethernet cable to connect Pi to your router
4. SSID and passkey for your router (see below if you don't have these)
5. PC connected to your network
6. Meter and small screwdriver (e.g. jeweler's screwdriver)
7. Optional: USB WiFi adapter for Pi 2 (Pi 3 & 4 have WiFi built in)

Getting SSID and Passkey

Start by looking on the router for login information. Also, try the Internet for a router manual (we know, we hate to read directions, too).

Next, you're looking for your router's web page. Open a browser and type the IP address *192.168.0.1* into the address textbox at the top (just as if you were typing *www.google.com*). If nothing happens try *192.168.1.1* and *192.168.2.1*.

Log into the router using the username and password printed on the side of the router or in the manual.

Look through the various wireless setting for *SSID* and passkey (or something similar). We're sorry, but we can't offer too much more because each router will be different.

Initial Setup

The power is *off* at this point.

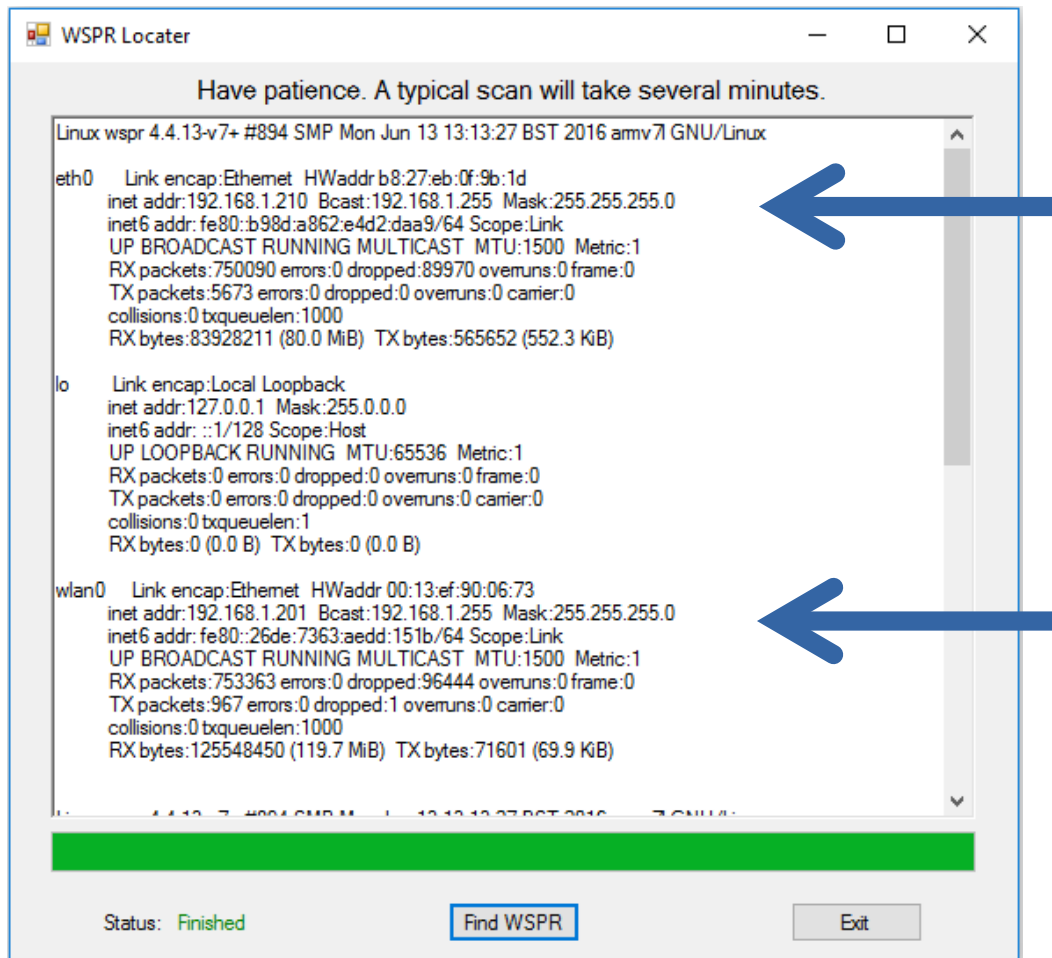
1. Make sure that the power is turned **off**.
2. Connect the Pi to your router with the Ethernet cable. This part is a little tricky. The Pi has to be connected to a DHCP server. That's normally your router. *It won't work if you plug the Pi into your laptop, at least not without some advanced setup.*

Locate the Pi IP Address

1. Working from your PC, download *WSPR Executables* (zip file) from the web site (*tapr.org/kits_WsprWithoutTears*), unzip the zip file, and extract the program *WSPR_Locate.exe* to a suitable work area.
2. Execute *WSPR_Locate.exe*. The program will take about five minutes to execute and will (hopefully) give you the IP address of the Pi.

Some assumptions have been made: 1) your network is a private Class C network (IP addresses begin with 192.168..), and 2) you have DHCP enabled on your router (router hands out IP addresses). If you have no idea what we're talking about then don't worry about it – these are typical settings for a home network.

TAPR Versatile/Universal WSPR



With any luck, the display will look something like Figure 7: WSPR Locator. Look for the line starting with *eth0*. The line below it shows *inet addr: 192.168.1.210*. Your setup should be similar except for the last two numbers (it will begin with 192.168, but the last two numbers will probably be different). Record the full number (*192.168.aaa.bbb* – aaa and bbb are the numbers for your Pi) for the next step. That's the IP address of your Pi. If the program fails to find the Pi, try it again. If that fails, go to the Troubleshooting section.

Note: The first time you run WSPR_Locator *inet addr* will be displayed for *eth0*, the Ethernet connection. After setting the WiFi portion of the WSPR configuration (see Figure 8: WSPR Configuration Screen), WSPR_Locator will display *inet addr* for *eth0* if the Ethernet cable is still connected and *inet addr* for *wlan0*, the WiFi connection.

TAPR Versatile/Universal WSPR

Setting WSPR Configuration

WSPR Configuration (c) ND8I 2016

Callsign and Grid Square (required)

Callsign:
Grid Square:

WiFi Parameters (optional)

SSID:
Passkey:

Transmit Times

default is to repeat transmission once every 10 mins.

transmit every 2 mins (only for testing)

Transmit Power (dBm)

Power:

Transmit Band (e.g. 30m - include the 'm')

Band:

Network Information

```
eth0    Link encap:Ethernet  HWaddr b8:27:eb:0f:9b:1d
        inet6 addr: fe80::b98d:a862:e4d2:daa9/64 Scope:Link
        UP BROADCAST MULTICAST  MTU:1500  Metric:1
        RX packets:0 errors:0 dropped:0 overruns:0 frame:0
        TX packets:0 errors:0 dropped:0 overruns:0 carrier:0
        collisions:0 txqueuelen:1000
        RX bytes:0 (0.0 B)  TX bytes:0 (0.0 B)

lo      Link encap:Local Loopback
        inet addr:127.0.0.1  Mask:255.0.0.0
```

1. Open a web browser (Internet Explorer, Firefox, Chrome, ...) and type in the IP address you just recorded (192.168.0.67 for example). This will bring up the configuration screen shown in Figure 8: WSPR Configuration Screen -
2. Enter your *callsign* and *gridsquare parameters*.
3. Enter the *SSID* and *passkey* (password) for your WiFi network. These are what you use to enable your cell phone and things like Roku to use your home network. If you don't know what

TAPR Versatile/Universal WSPR

they are you'll have to go digging through your router to figure them out (see the *Troubleshooting* section).

If you elect to not use WiFi then you don't need to enter SSID and Passkey. You will have to keep the Pi connected to the network by Ethernet cable because the Pi uses the Internet for time synchronization.

4. Check/uncheck the *transmit every 2 mins* checkbox. (I recommend leaving it unchecked.)

A WSPR message takes just under two minutes to send. The fastest you can send WSPR messages is every two minutes. It's considered bad form to flood the WSPR servers with messages. The default is to send a WSPR message every ten minutes. If you check the *transmit every 2 mins* checkbox then messages will be sent every two minutes. This setting is useful for testing and short term experiments.

5. Set the *Transmit Power* to 20 dBm and *Transmit Band* to 15m, 17m, 10m or 12m as appropriate.
6. When all done click on the *update* button. This will store the data on the Pi.

Restart Pi

1. Press the pushbutton on the VW. Hold for two seconds and release. This commands the Pi to enter shutdown mode (you're always supposed to shutdown a computer properly or the file system can be damaged – pulling the plug is bad).
2. Unplug the power supply, wait 10 sec, then plug the power supply back in and wait until the LEDs on the Pi stop flashing.

TAPR Versatile/Universal WSPR

Adjust Transmit Current

The transmitter bias current is set by adjusting R11 while monitoring the voltage between the *Current* and *Vcc* testpoints while the transmitter is on. The testpoints and R11 are shown in Figure 9. Connect a meter between *Vcc* and *Current*. Adjust R11 (clockwise increases current) until the voltage between the testpoints is 60 mV while transmitting.

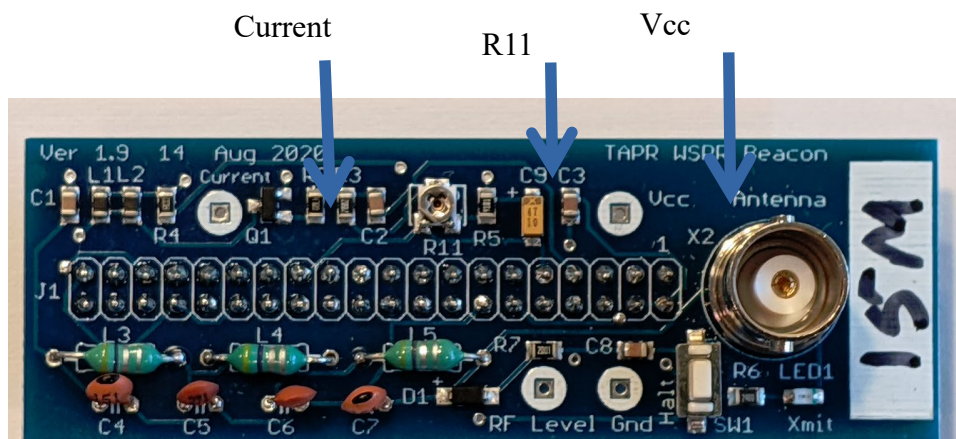


Figure 9: VW Transmitter

Test Points and Current Adjustment

Measure RF Output

The LED on the VW turns on when the VW is transmitting. Wait until the LED is on and measure the voltage across the test points labeled *RF Level* and *Gnd*. This should be in the range of 1.5-3 volts, indicating the WSPR transmitter is generating full power.

IP Addresses

Ignore this section if you're not using WiFi.

We have made the assumption that you are using WiFi to connect to the Pi. This is our preference, but it is by no means necessary. What may be confusing is that initially you have to use an Ethernet (wired) connection to talk to the Pi. This is because the WiFi login information has not yet been programmed into the Pi.

After you have set up WiFi (see Figure 8: WSPR Configuration Screen) you will have two valid IP addresses assigned to the Pi. Either one will work. You probably wouldn't have gone to the trouble of setting up WiFi if you were just going to use Ethernet. So now is the time to remove the Ethernet cable. Your Pi will now have one IP address. There is no advantage to having two IP addresses, so you should remove the Ethernet cable if you're planning on using WiFi.

TAPR Versatile/Universal WSPR

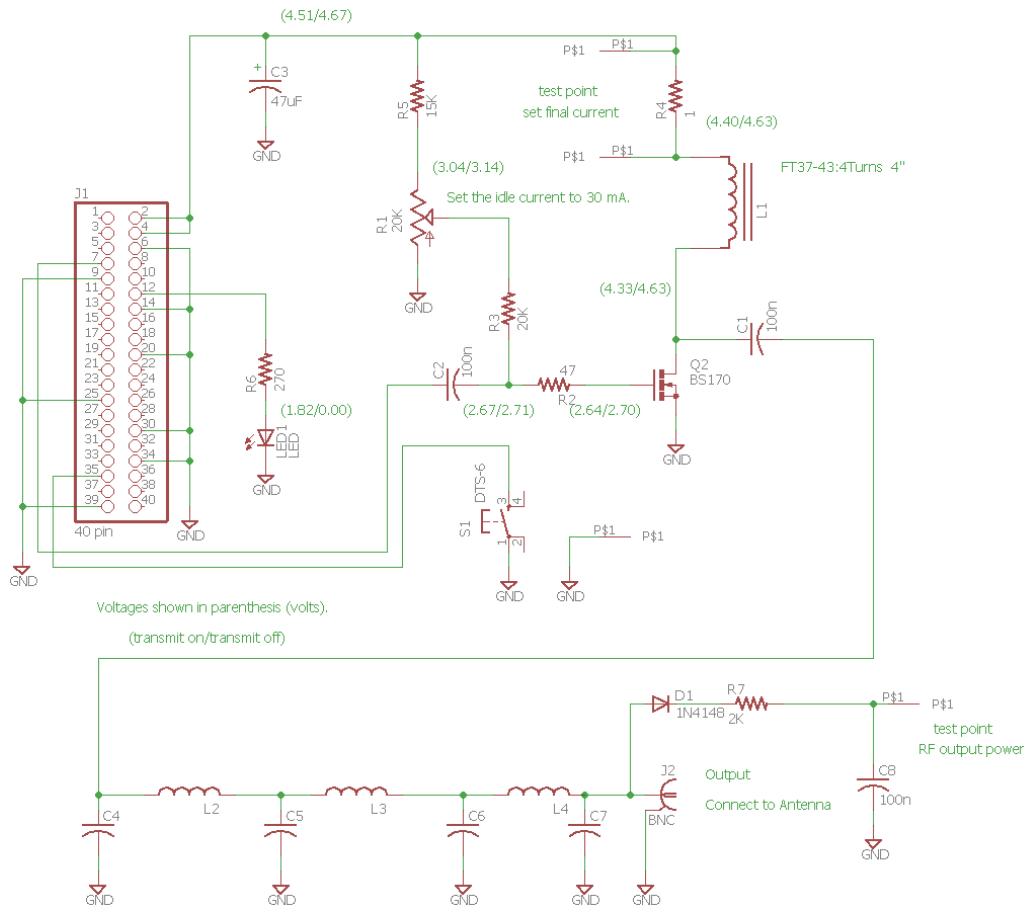
VW Schematic

The VW schematic is shown in Figure 10: VW Schematic.

Congratulations! Connect an antenna and you're done.

Figure

10: VW



Schematic

TAPR Versatile/Universal WSPR

Troubleshooting - It Doesn't Work ...

Well, we'd hoped that you wouldn't ever have to get to this page, but ...

We've tried very hard to make sure that everything is correct, however sometimes stuff happens ;-). The good news is it's all fixable. Follow the steps in the order given. We're assuming that something isn't working right at this point, so let's find out what it is.

1. Check that the pcb is plugged into the Pi correctly.
2. I'm assuming that you've connected your WSPR transmitter up to a Raspberry Pi with an adequate power supply (adequate is 5 volts and at least 2.5 amps) and it's not transmitting or at least nothing is showing up on wsprnet.org.
3. Check that you've got the Pi Ethernet cable plugged into the Pi and that the other end of the Ethernet cable is going to your router (not your laptop).
4. Check that the red LED on the **Pi** turns on when power is applied.
5. Verify that the software is working by bringing up the web page (type the IP address into the address line of your browser on your PC/Mac/Linux box: 192.168.aaa.bbb). If the web page displays then the software is probably working okay. The Pi should have power for this test.

You may have to run the WSPR Locator program to find the IP address of the Pi and then enter the IP address into the address bar of the browser.

If the web page doesn't display or WSPR_Locator can't find the Pi then press and hold the shutdown button for 2 sec and unplug the power supply. Wait for 30 sec and plug in the power supply. Wait for the LED's to stop blinking and try to access the web page again. If this fails to work there may be a problem with the software load on the SD card.

6. Does the LED come on at some time during a 15 minute period? If so, this indicates that the software is probably operating correctly, so it's time to look at the hardware. If not, there might be a software issue and you could try downloading the software image and burning to an SD card again. If it still doesn't work send an email to contact@tapr.org
7. Press the pushbutton on the VW and hold for two seconds. Wait until the LED's on the Pi stop flashing and unplug the power to the Pi.
8. Unplug the power supply and remove the VW from the Pi. Look at the board. Is anything odd looking or out of place? Look at both sides of the board.
9. Okay, it's time to reassemble the circuit board to the Pi header, get our your voltmeter and turn on the power. The voltmeter ground lead should be connected to the ground test (*Gnd*) point next to the push button.

TAPR Versatile/Universal WSPR

10. Measure idle current with a VOM. This is the current across R4 (1 ohm resistor). Connect positive probe to the V_{CC} test point and the negative probe to the *Current* test point (see Figure 10) This should be <20 mV when not transmitting and ~60 mV when transmitting, corresponding to <20 mA and ~60 mA.
11. Measure the built in detector output using a VOM between the Current and GND test points. This should be ~0 volts when not transmitting and ~1.5 volts when transmitting (this value can vary quite a bit, so don't be too concerned as long as it's above 1 volt).
12. If you have an oscilloscope, there are some other measurements that can be made. I'm going to assume that you are somewhat comfortable using Linux and SSH. I'm partial to KiTTY as an SSH terminal (<https://www.9bis.net/kitty/#!/pages/download.md>). This runs on Windows.
13. I'm assuming that you've found the IP address of your Raspberry Pi. Log into your Pi (username: pi, password: wspr).
14. Enter the following on the command line:
sudo ~/WsprryPi/wspr -t 18000000 (for 17m)
sudo ~/WsprryPi/wspr -t 21000000 (for 15m)
15. Using the scope, measure the voltage coming out of the Pi. This is between pin 7 and GND (see Figure 2). Of course, the probe goes to pin 7. When transmitting, you should see a square wave ~3.5 Vp-p. 4. If you've got a signal coming out of the Pi (pin 7 measurement), then then next thing to check is the output before the low pass filter (left side of L3, see Figure 10). This should be a square wave ~3 Vp-p. If all else fails, send me an email (Bruce Raymond, nd8i@tapr.org). I'm happy to help.

Keep in mind that we're using a cheap DVM, you're probably using a cheap DVM, and component tolerances could be all over the place. This means that if your readings are within, say 10%-20% of ours that they're probably okay.

I suggest measuring and recording the voltages on both sides of R5, both sides of L1, and both sides of R2.

The higher voltage across R5 is the power supply rail. It should be between 4.5-5.0 volts. The voltages on both sides of L1 should be about the same when not transmitting and one significantly lower than the other when transmitting (LED on). The voltages on both sides of R2 should be about the same whether transmitting or not. The voltages at R2 will vary depending on how pot R1 is set. The important part is that they're above 0.0 volts and have pretty much the same voltage on either side of R2.

If you find voltages that differ significantly from what's listed on the schematic, start by looking for bad solder joints. If that fails, let us know because we're probably looking at a bad component, which we will be happy to replace.

TAPR Versatile/Universal WSPR

Appendix 1 – Communicating With the Pi over SSH

This sorta seems like the antithesis of what we've been trying to accomplish. We wanted to hide the hard details so that you could concentrate on getting a WSPR signal on the air. Okay, you're not afraid of Linux and you want to talk to your Pi over SSH. Actually, we sympathize – that's our favorite mode for talking to the Pi.

1. Download the program KiTTY.exe (no, not a cat) as part of the *WSPR Executables* from tapr.org/kits_WsprWithoutTears or from <http://www.9bis.net/kitty/?page=Download>.
2. Get the IP address of the Pi from WSPR_Locator.
3. Run the KiTTY and enter the IP address for the Pi. This will open a command window.
4. Username: *pi* Password: *wspr*

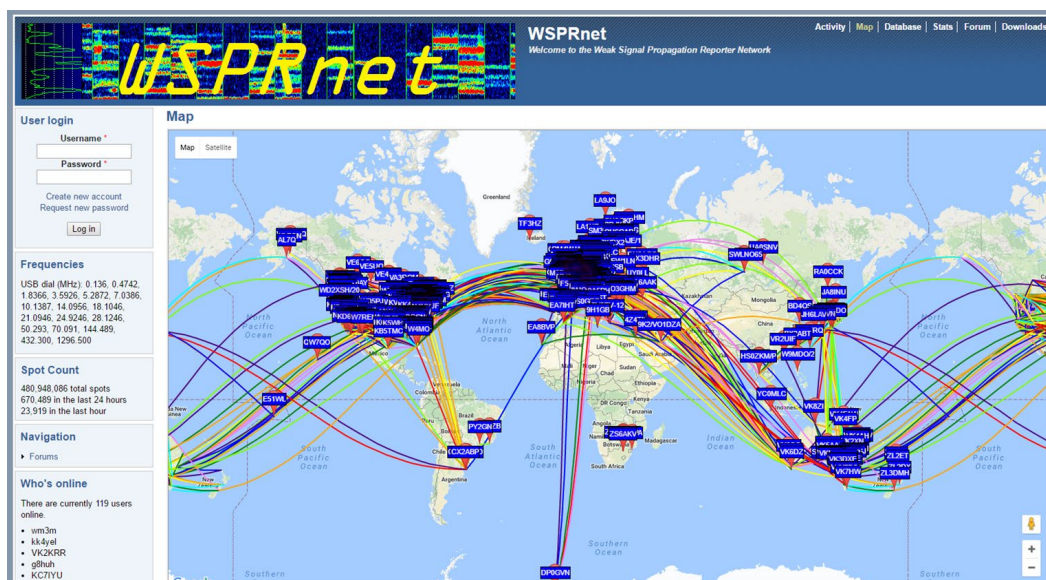
TAPR Versatile/Universal WSPR

Appendix 2 – Postprocessing Data

The first thing you're going to want to do once your WSPR transmitter is up and running is to see how your signal is getting out. Go to the website www.wsprnet.org (enter www.wsprnet.org in a browser) and click on *Map* in the upper right hand corner.

WSPRnet Map

Scroll
the
of the
and
Band as



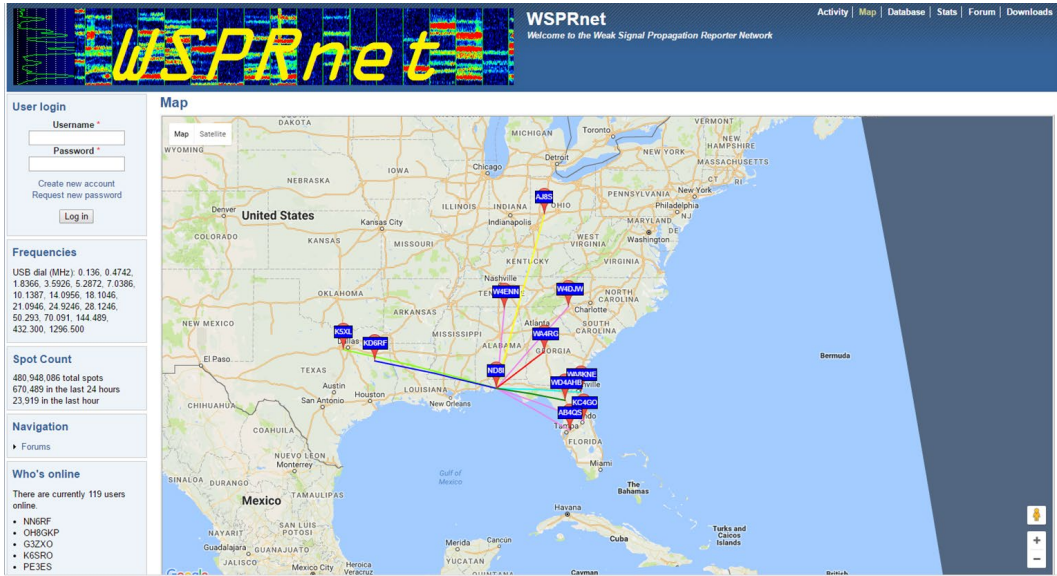
down to
bottom
graph
change

appropriate (30m, 40m, etc), insert your *callsign*, change the *Time Period* to 24 hours, click on the *Day/Night* overlay checkbox if you want to see it and then click on the *Update* button. You can pan and zoom to see how far your signal has gotten.

TAPR Versatile/Universal WSPR

Here's a typical view.

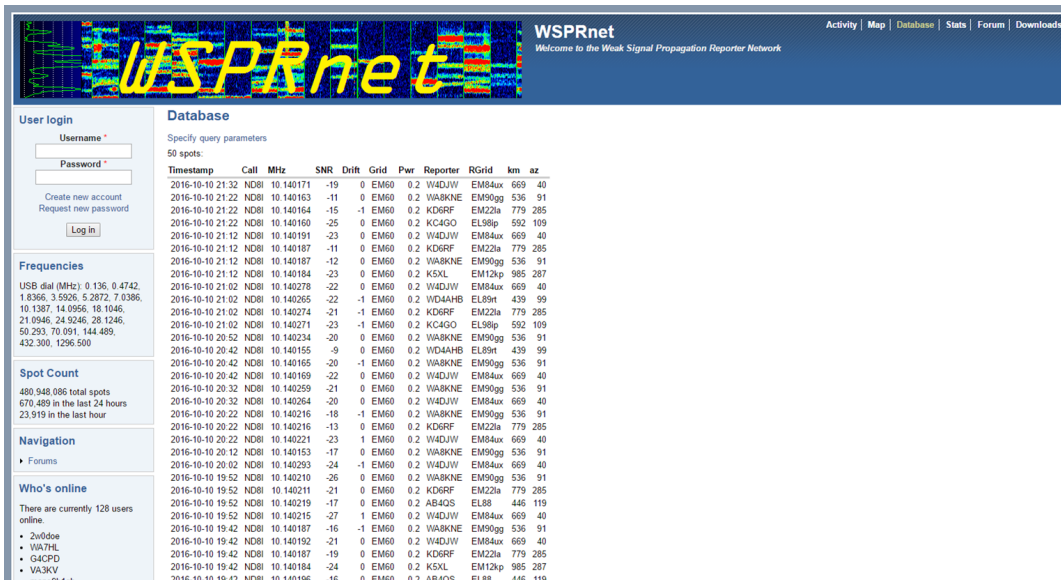
Now
the



click on

Database button (next to *Map*) in the upper right hand corner. Click on *Specify query parameters* just below *Database* in the upper left and change *Band* to the appropriate band (30m, 40m, etc) and add your *callsign*. Click the *Update* button.

This
the



gives

particulars for the contacts – their gridsquares and the distance traveled. (Multiply km by 0.62 to get miles.)

Downloading Data

We're fascinated to see how far our signal goes using just a piece of wire strung around the room (that's all we've done with our antenna). It's also interesting to see the effect of daytime vs nighttime on propagation.

TAPR Versatile/Universal WSPR

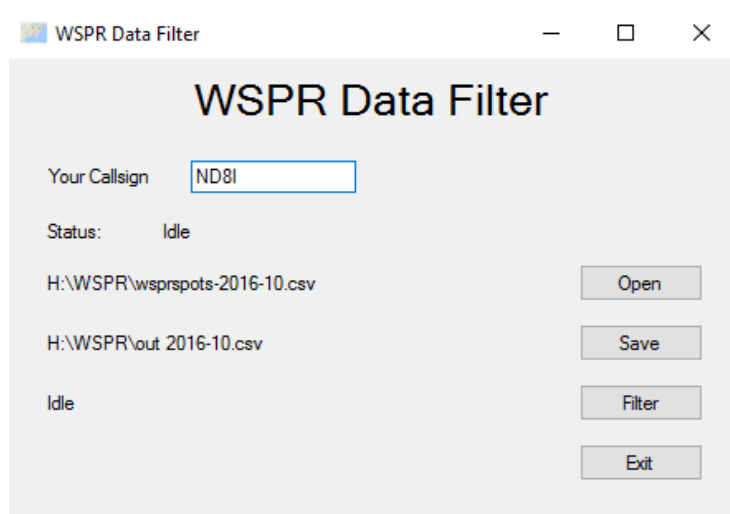
After you've run your transmitter for a while you might be tempted to play with the data some more. The WSPRnet people have stored information on all of the transmissions in files that you can download and process. This is under the *Downloads* tab. The files are stored by *year-month*. They are available in *gzip* or *zip* format.

Pick a month that you'd like to investigate and click on the word *zip*. We're amused by what can only be described as wishful thinking on the part of the people who put together the web page. The writeup at the top says "Compressed file sizes range from 1-20MB." The compressed files will be much closer to 300 MB and uncompressed go to about 1.4 GB.

Most of the entries were not information we cared about – they list *all* of the contacts in a particular month. We only want to see our contacts.

WSPR Data Filter

We wrote a program to extract only our contacts. The program is called *WSPR_Data_Filter.exe* and can be downloaded from the web site (part of the executables file). The program removes everything but your contacts from the downloaded data making it a *much* more reasonably-sized file.



Here is how you use it -

1. Download a month's worth of data from WSPRnet.org.
2. Unzip the file (these are big files – it will take some time).
3. Download Run WSPR_Data_Filter (download from tapr.org/kits_WsprWithoutTears, click on *WSPR Executables* and extract the program from the .zip file).
4. Run WSPR_Data_Filter.
5. Enter your *callsign*

TAPR Versatile/Universal WSPR

6. Click the *Open* button, select the file you unpacked (not the .zip file), and click *Open*.
7. Click the *Save* button, enter a *filename* to save the output as, and click *Save*.
8. Click the *Filter* button.
9. Click the *Exit* button when processing is done.

The output can be read into any spreadsheet program (e.g. Excel) directly for processing and graphing.